

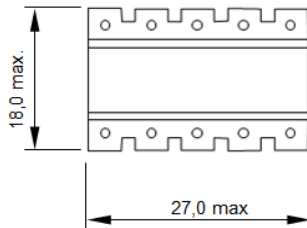
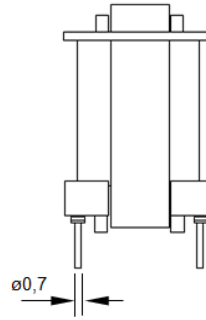
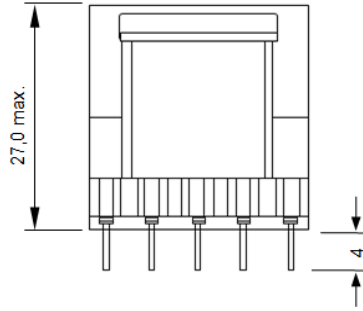
Type : **EF25-V55-1SM1**

- ✦ High Efficiency and Low Loss
- ✦ Acc. To DIN EN 62368-1
- ✦ UL94-V0 Recognized Materials
- ✦ Class 130°C Insulation System
- ✦ Operating Temperature -40°C to +100°C
- ✦ RoHS Compliant Product
- ✦ Custom Design Available

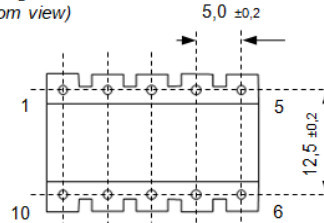


Electrical Specifications	Core Parameters	Bobbin Parameters
Max. Output Power (at 66kHz) Flyback : 28 W Half-Bridge : - - Operating Frequency : 20 - 140 kHz Isolation (pri-sec) : 3.000 Vrms, 1mA / 5 sec.	Core Type : EF25 Effective Length (le) : 57,5 mm Effective Area (Ae) : 52,5 mm ² Effective Volume (Ve) : 3020 mm ³	Core Direction : Vertical Number of Pins : 5+5 Max. Winding Width : 15,5 mm Max. Winding Height : 3,9 mm Winding Area : 60,5 mm ²

Dimensions [mm]



Pin configuration
(Bottom view)



Recommended hole : ø0,8 (NPTH)
ø1,0 (PTH)

The parameters of the product are given as an example. Data are subject to change without prior notice.

Revised : 20-Jan-2022